



The forging and field coil assembly included in this replacement kit have three studs to be installed.

1. Install the shorter stud in the top hole to the dimension shown. Use a suitable adhesive such as Loctite® 222. Follow manufacturer's instructions.
2. Install the two longer studs in the bottom holes to the dimension shown. Use a suitable adhesive such as Loctite® 222. Follow manufacturer's instructions.

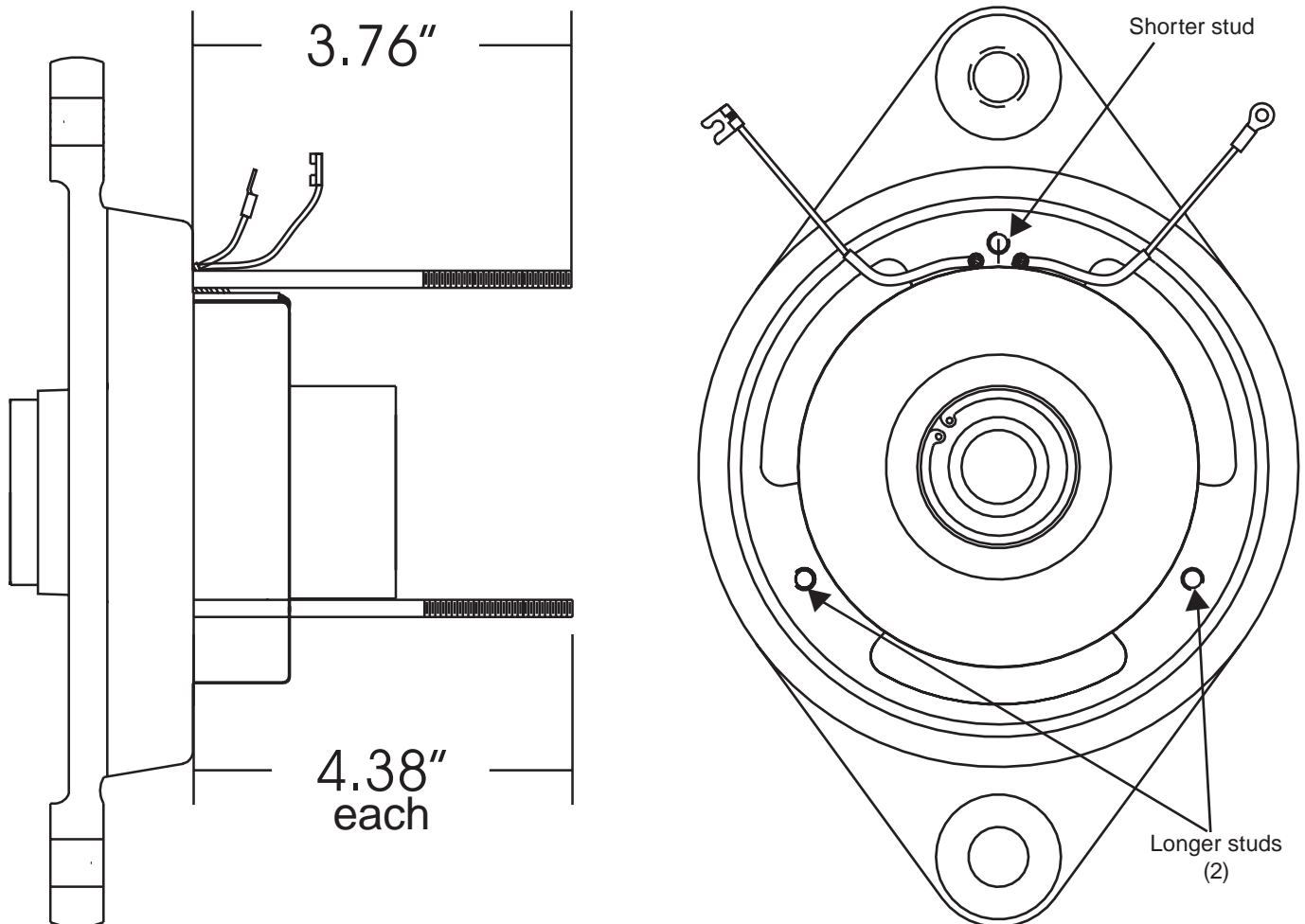


Figure 1 - N7390/A5-116 Forging/Field Coil Assembly