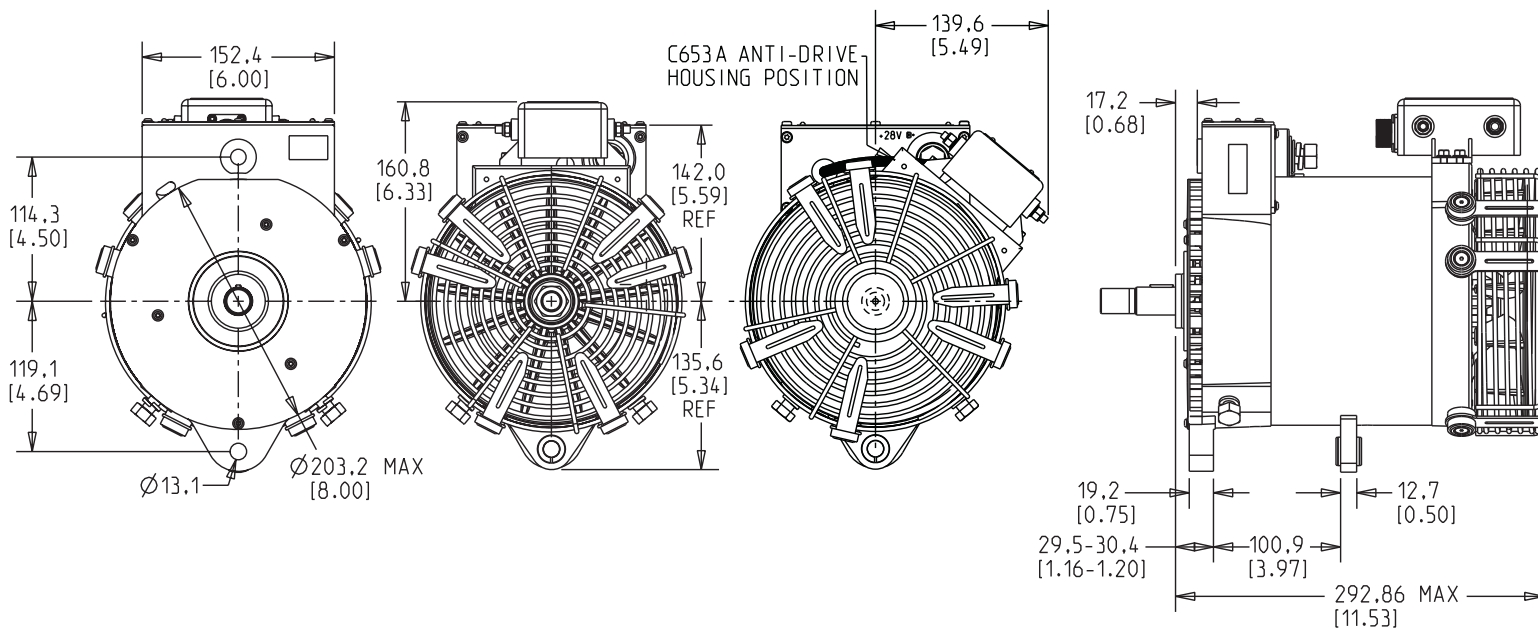
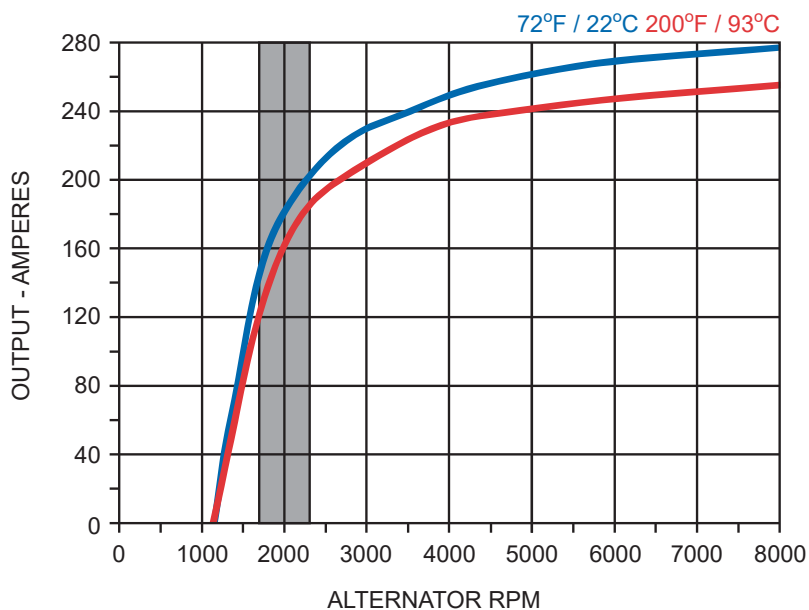




Dimensions Linear measure listed as mm[in].



Performance



Performance curve measurements are taken at the listed ambient temperature with a stabilized machine temperature as per SAE J56. The shaded area highlights output available at typical engine idle alternator speed.

**C.E. Niehoff & Co.**  
2021 Lee St.  
Evanston, IL 60202 USA  
1-847-866-6030  
sales@ceniehoff.com  
www.ceniehoff.com

**C.E. Niehoff & Co., Ltd.**  
No. 7 Peregrine Place  
Moss Side, Leyland  
Preston PR25 3EY UK  
(44) 1772 459 777  
info@niehoff.co.uk

**Service**  
1-800-NIEHOFF (643-4633)  
service@ceniehoff.com

