



Installation Instructions

DUAL VOLTAGE (28 V/14 V) applications

(see other side for single voltage):

1. Connect as shown on this page.

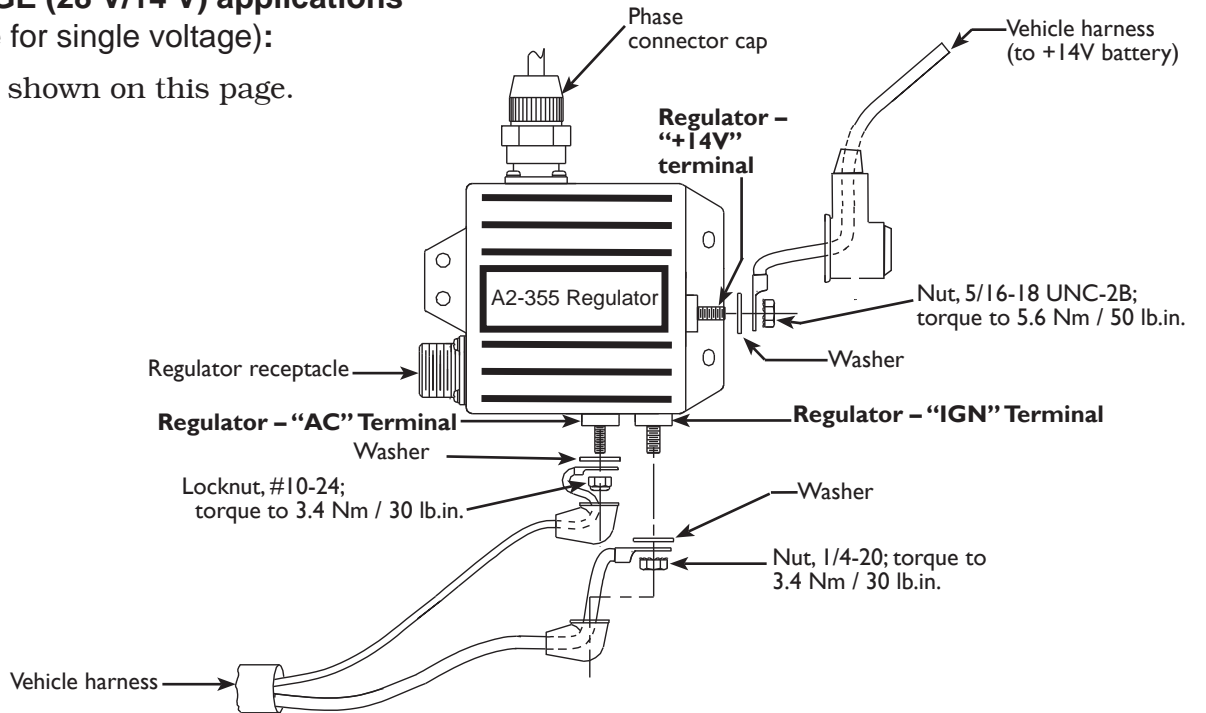


Figure 1a – A2-355 Regulator Dual Voltage Wiring Connections

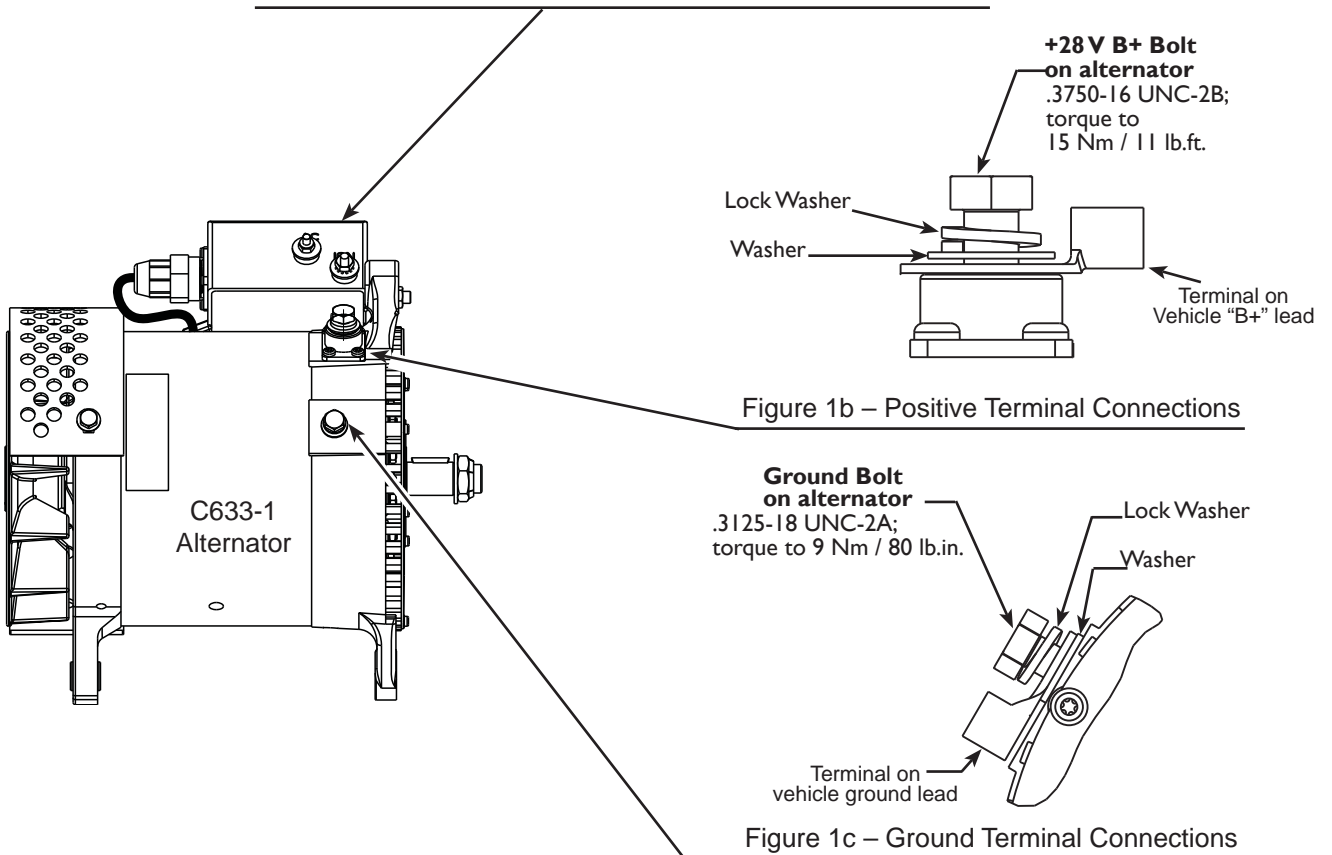


Figure 1b – Positive Terminal Connections

Figure 1c – Ground Terminal Connections

SINGLE VOLTAGE (28 V) applications (see other side for dual voltage):

1. Connect as shown on this page.

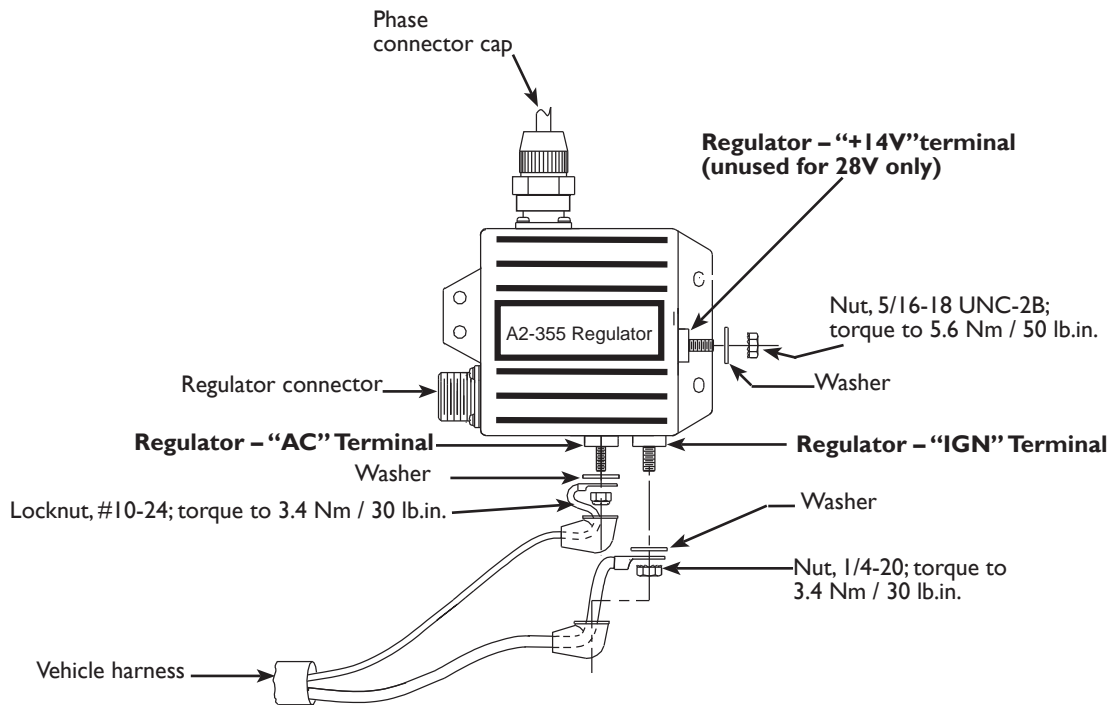
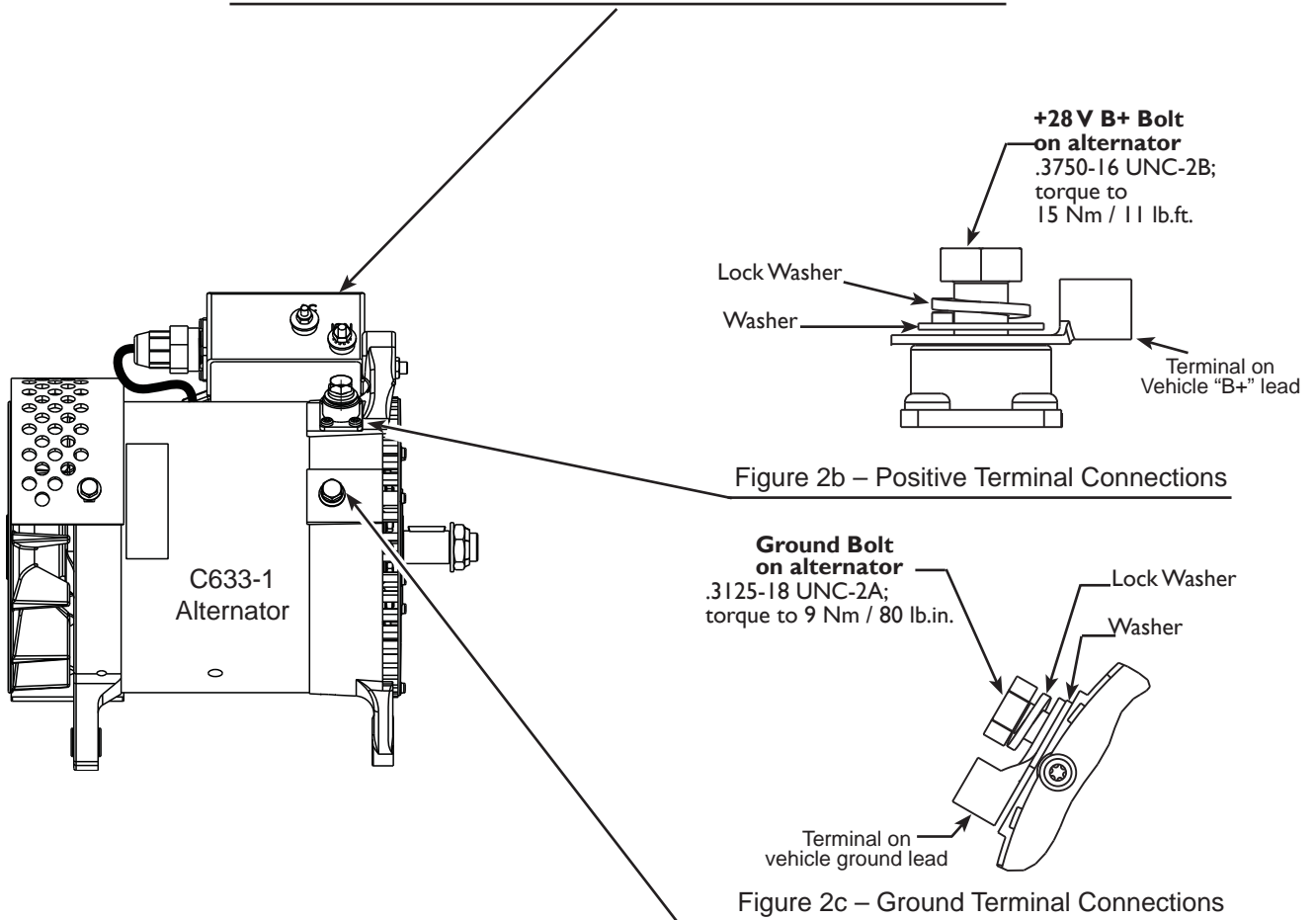


Figure 2 – A2-355 Regulator **Single Voltage** Wiring Connections



Please reference the following documents:

- **Alternator troubleshooting guides by alternator model at www.CENiehoff.com**
- **Maintenance interval information at www.CENiehoff.com:**
 - SB0015—Bus Vehicles**
 - SB0014—Mining Vehicles**
 - SB0012—Fire and EMS Vehicles**
- **CEN 633 Series Alternator Service Manual SM38 from the address listed below.**
- **To order genuine CEN service parts or to locate a Factory Authorized Service Dealer, please contact:**

C.E. Niehoff & Co.
2021 Lee Street • Evanston, IL 60202 USA
TEL: 800.643.4633 USA and Canada •
TEL: 847.866.6030 outside USA and Canada •
FAX: 847.492.1242 •
E-mail us: sales@CENiehoff.com
Visit our Web site: www.CENiehoff.com

