



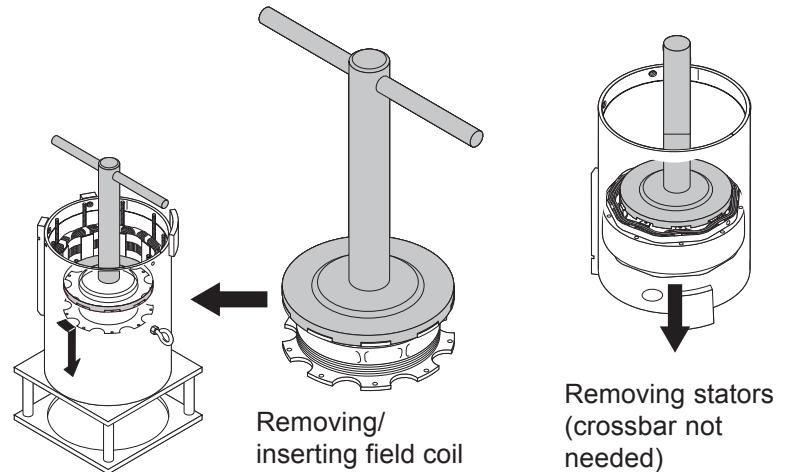
The tools shown below should be used as indicated in the applicable service manuals for CEN 600, 700, and 800 Series Alternators. If you have any questions, contact the CEN Technical Service Department.

This tool is used to remove the field coil, insert the field coil, and remove the stators.

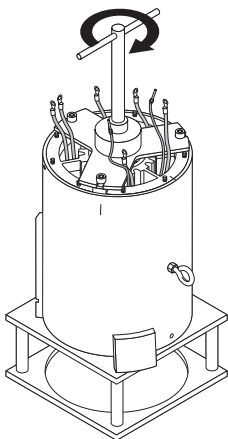
Tool part numbers:

CEN A10-128—800 series

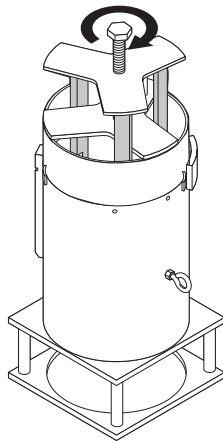
CEN A10-132—600 & 700 series



CEN A10-131 tool is used to remove the anti-drive end (ADE) housing from C802 and C704 alternators.



This tool is used to remove the drive end (DE) housing from C802 and C704 alternators.
Tool part number:
CEN A10-134—800 series
CEN A10-133—600 & 700 series



This tool is used to install stators.

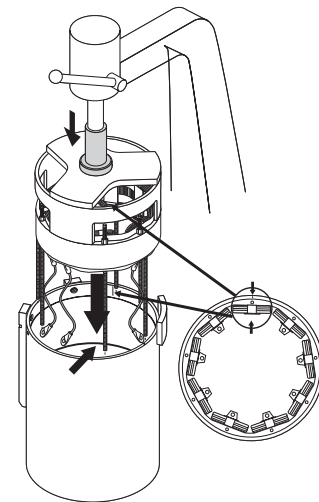
Tool part numbers:

CEN A10-137—

800 series (includes 6 insertion studs A9-846).

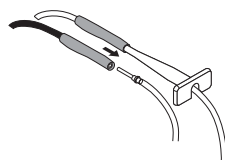
CEN A10-136—

600/700 series (includes 6 insertion studs A9-814).



*Insertion studs must be removed after stators are installed.
DO NOT USE INSERTION STUDS in final assembly.

CEN A10-130 tool is used to separate field coil connectors.



CEN A10-135 tool is used to install pulleys.

