



1. Install regulator bracket as shown in Figure 1.
2. Apply thread adhesive such as Loctite® 222 to screws before installing.

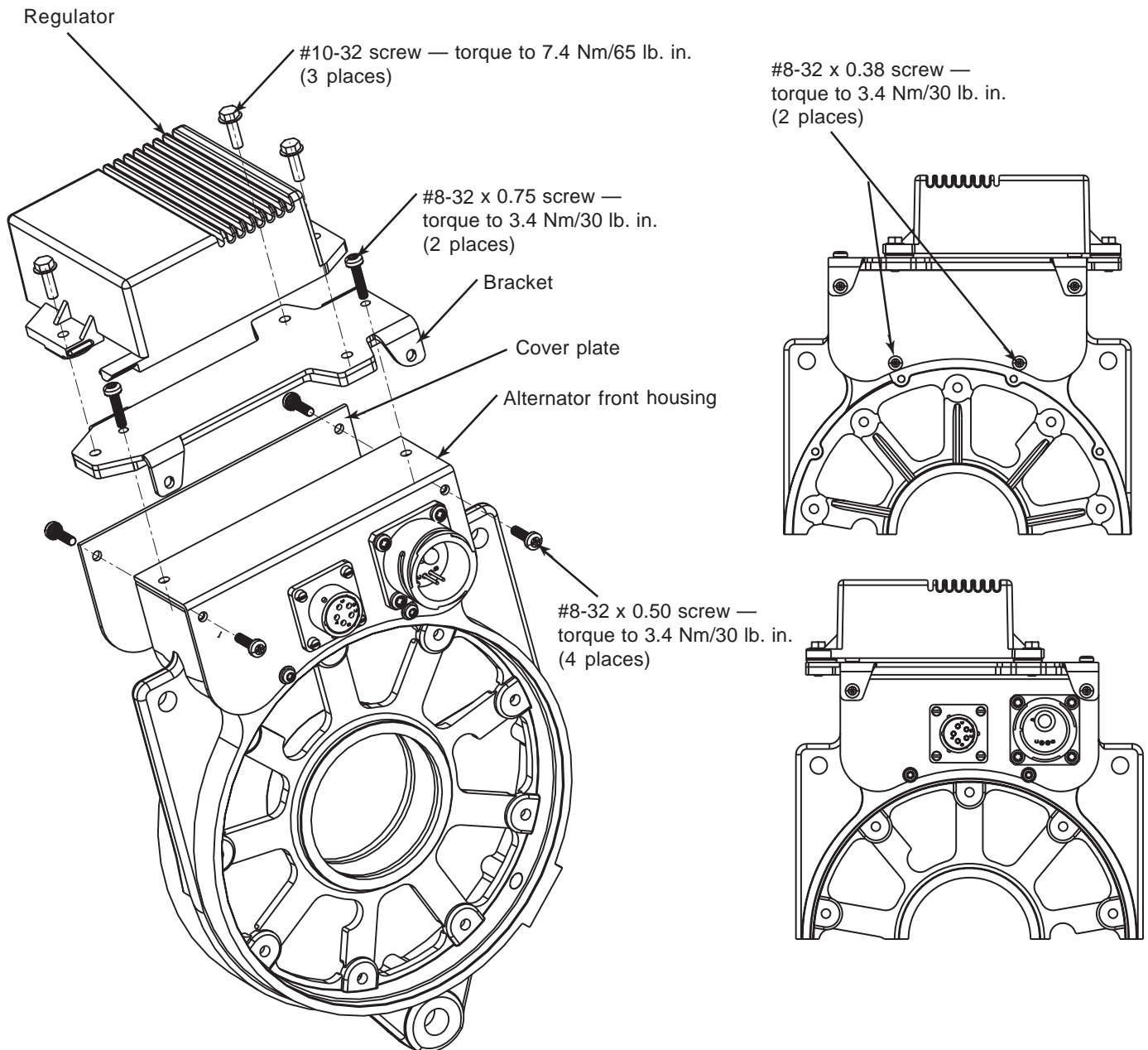


Figure 1 – Regulator Mounting Bracket Assembly