



## Eyebolt Installation on CEN Alternator Instructions

### How to install eyebolt on CEN alternator:

**CAUTION**

If re-installing eyebolt, make sure nut is present and threads are clean and not damaged.

1. Make sure nut is threaded on screw portion of bolt up to the second or third thread for proper installation.
2. Install eyebolt in hole and tighten until nut reaches shell with two or three threads exposed above nut. Doing so will ensure screw portion will fully engage shell and not interfere with stator performance.

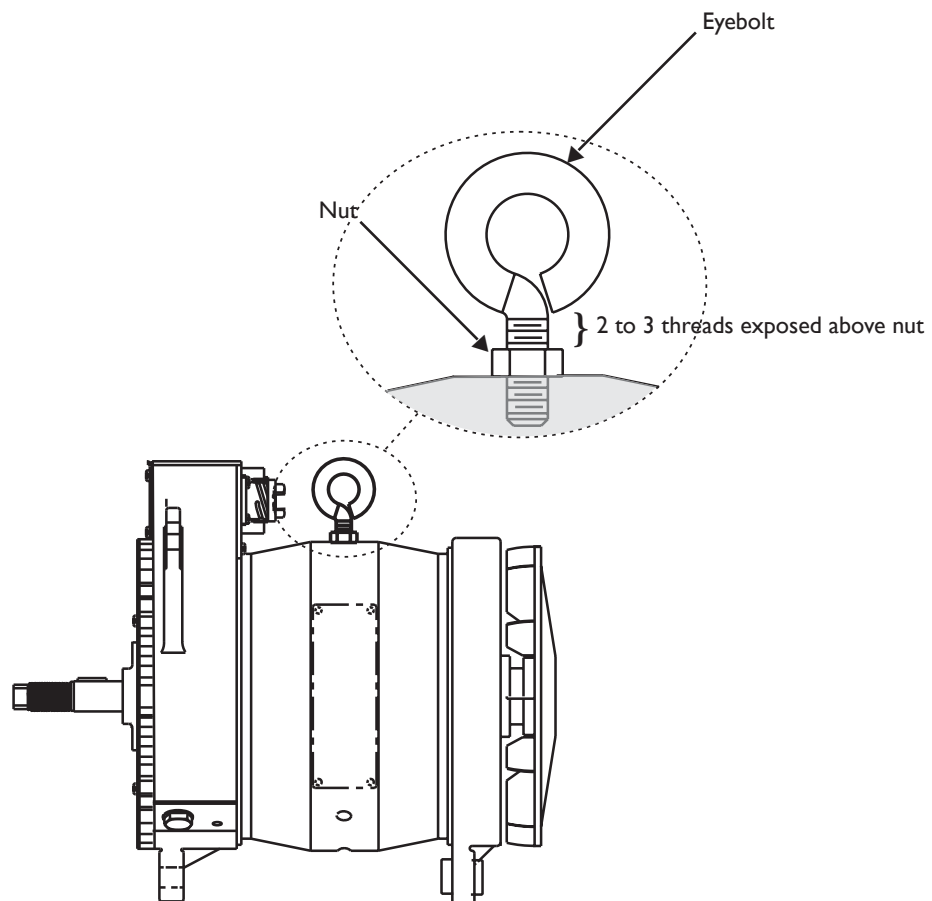


Figure 1 — Eyebolt Installation