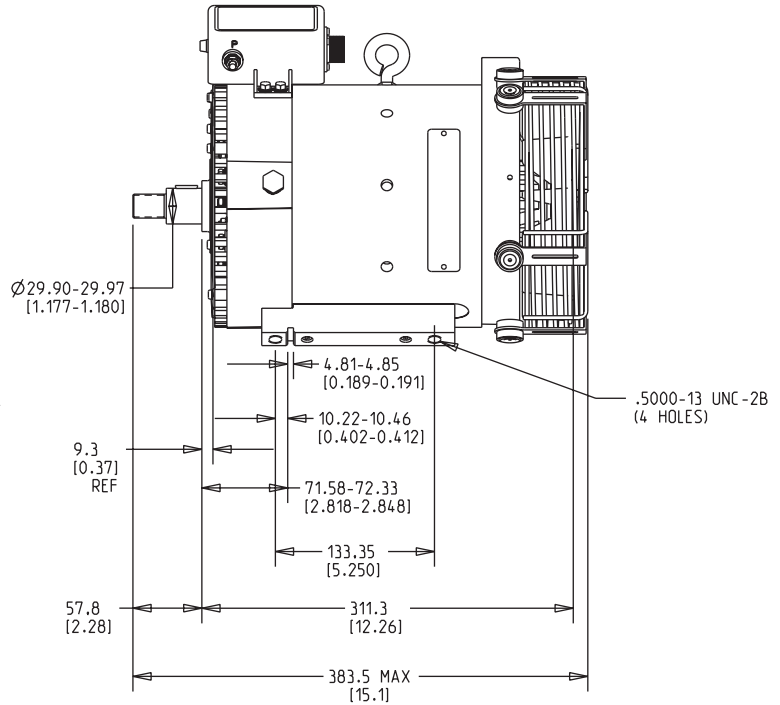
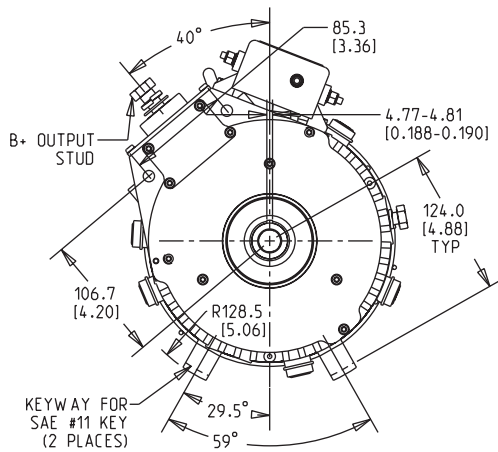


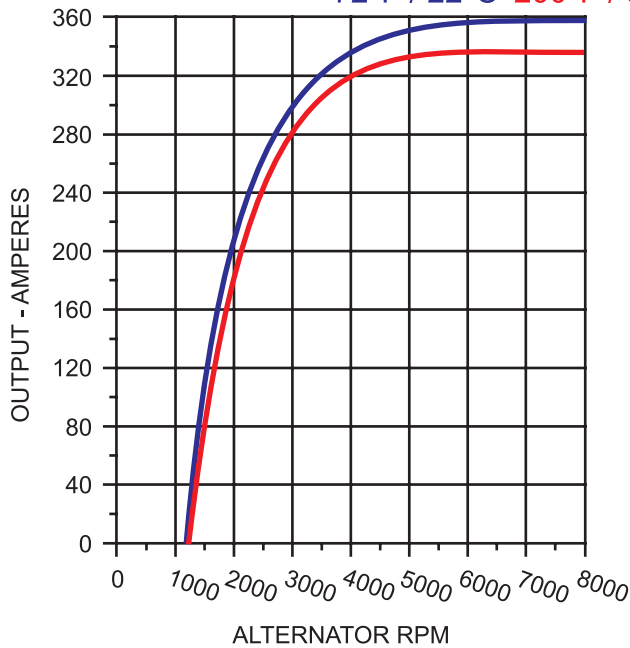


## ALTERNATOR SPECIFICATIONS

### Dimensions



### Performance Curve(s) 72°F / 22°C 200°F / 93°C



Performance curve measurements are taken at the listed ambient temperature, with a stabilized machine temperature, as per SAE J56.

Linear measure for dimensions is listed in millimeters over inches.

**C.E. Niehoff & Co.**  
 2021 Lee St.  
 Evanston, IL 60202  
 USA

**Sales:**

ph: 847 / 866-6030  
 fax: 847 / 492-1242  
 email: sales@ceniehoff.com

**Service:**

ph: 800 / NIEHOFF (643-4633)  
 email: service@ceniehoff.com